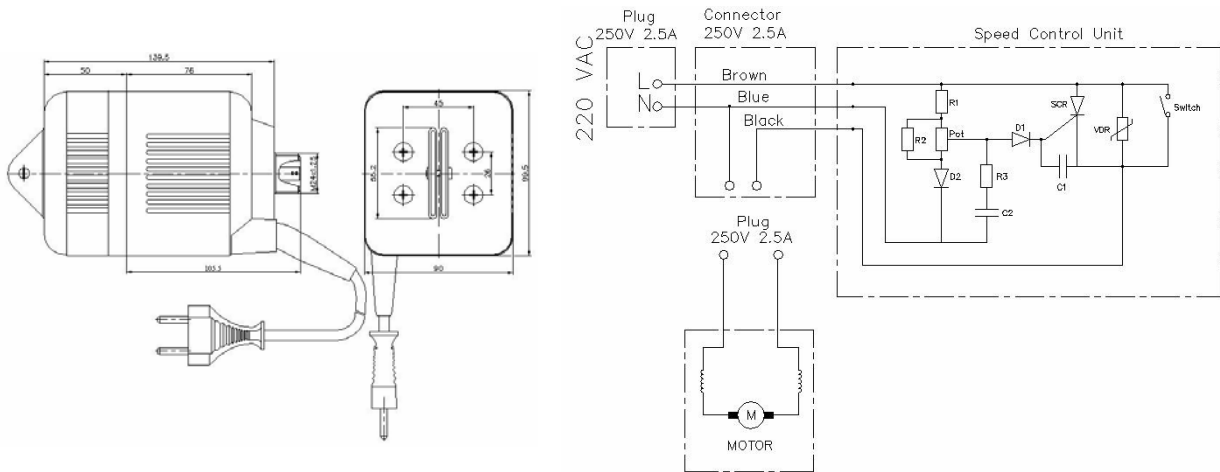




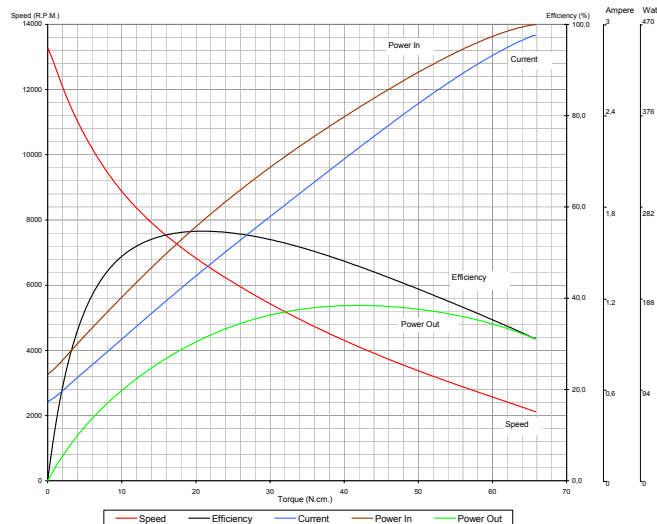
**Type: BM 25C**  
**400 WATT,220-230VAC,18.000 r.p.m.**

For the ultimate performance in all applications including jewellery, moulding and dental laboratory. BM25C offers high torque at all speeds and smooth, controlled acceleration up to 18.000 r.p.m.

**Flexible Shaft Machine**



MOTOR TYPE	MOTOR CODE	TEST VOLT. (V)	TEST FREQ. (Hz)	MOTOR PERFORMANCE VALUES													
				At No Load			At Stall			At Maximum Efficiency			At Maximum Power				
				Speed (RPM)	Cur. (Amp)	Torque (Ncm)	Cur. (Amp)	Torque (Ncm)	Speed (RPM)	Cur. (Amp)	Eff. (%)	Pout (W)	Torque (Ncm)	Speed (RPM)	Cur. (Amp)	Eff. (%)	Pout (W)
BM25C	925.55.011	220	50	13262	0.52	75.3	2.927	20.88	6690	1.382	54.69	146.28	41.87	4118	2.185	47.04	180.55



**Remarks:**

- Documents here includes only reference values. BALKAN MOTOR A.Ş. has the right to revise them without any prior information.
- BALKAN MOTOR A.Ş. could modify all its products according to customer requirements.

**BALKAN MOTOR SANAYİ VE TİCARET A.Ş.**

Yenibosna Sanayi Caddesi No:21 34530 Bahçelievler/İstanbul/TURKEY

Tel:+90 (212)551 01 00 (7 Lines) Fax: +90 (212) 551 31 67 [www.balkanmotor.com.tr](http://www.balkanmotor.com.tr) e-mail: [balkan@balkanmotor.com.tr](mailto:balkan@balkanmotor.com.tr)

