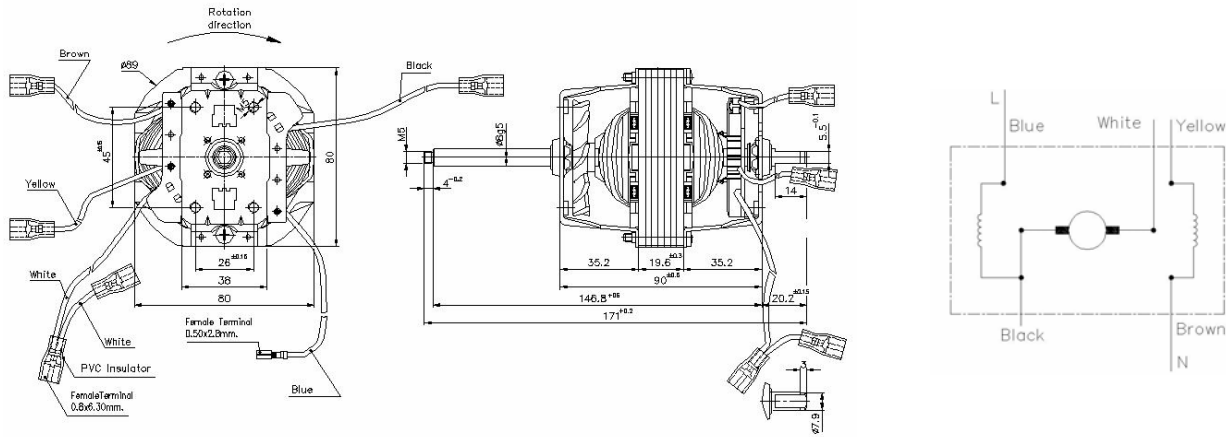
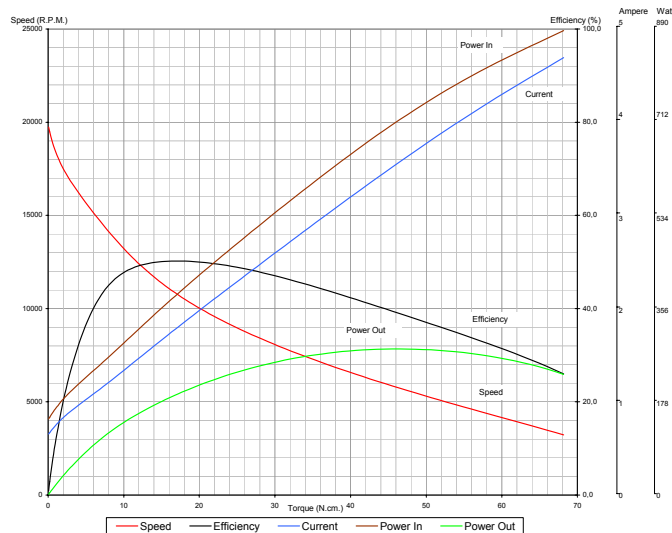


- Protection class:0
- Insulation class: F
- Motor shaft: Ck 45.
- Cables: H05V-K 0.50mm² VDE approved
- Bearings: Sinter Bronze.

Universal Motor 230V (BM64C 964.94.003)



| MOTOR TYPE | MOTOR CODE | TEST VOLT. (V) | TEST FREQ. (Hz) | MOTOR PERFORMANCE VALUES | | | | | | | | | | | | | |
|------------|------------|----------------|-----------------|--------------------------|------------|--------------|------------|--------------|-----------------------|------------|----------|----------|------------------|-------------|------------|----------|----------|
| | | | | At No Load | | | At Stall | | At Maximum Efficiency | | | | At Maximum Power | | | | |
| | | | | Speed (RPM) | Cur. (Amp) | Torque (Ncm) | Cur. (Amp) | Torque (Ncm) | Speed (RPM) | Cur. (Amp) | Eff. (%) | Pout (W) | Torque (Ncm) | Speed (RPM) | Cur. (Amp) | Eff. (%) | Pout (W) |
| BM64C | 964.94.003 | 230 | 50 | 19822 | 0.651 | 78.9 | 4.772 | 17.06 | 10774 | 1.795 | 50.21 | 192.5 | 46.31 | 5755 | 3.564 | 39.04 | 279.09 |



Remarks:

- Documents here includes only reference values. BALKAN MOTOR A.Ş. has the right to revise them without any prior information.
- BALKAN MOTOR A.Ş. could modify all its products according to customer requirements.

BALKAN MOTOR SANAYİ VE TİCARET A.Ş.

Yenibosna Sanayi Caddesi No:21 34530 Bahçelievler/Istanbul/TURKEY

Tel:+90 (212)551 01 00 (7 Lines) Fax: +90 (212) 551 31 67 www.balkanmotor.com.tr e-mail: balkan@balkanmotor.com.tr

