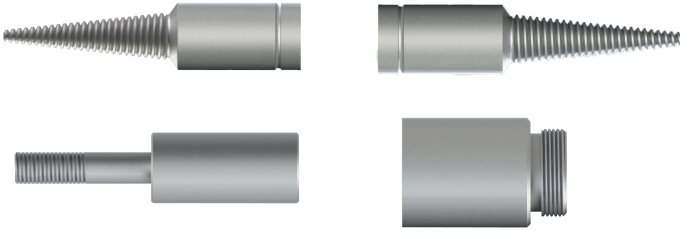


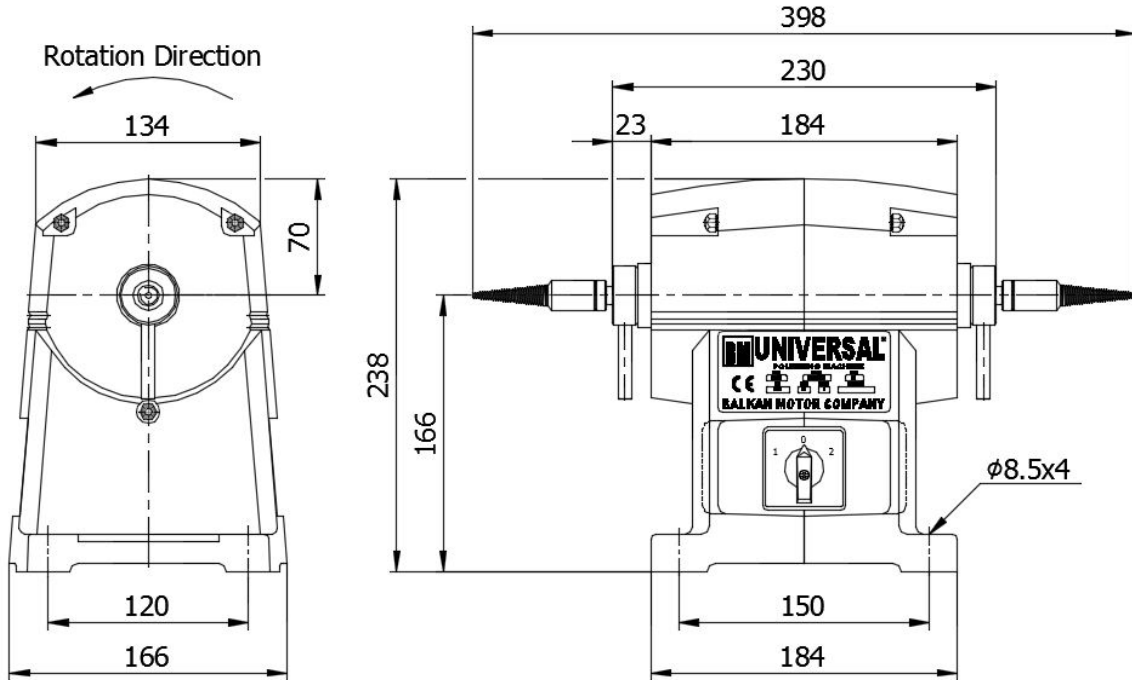


BM39K

- Motor Type: 220V~Single Phase Induction Motor
- Insulation Class: B
- Accessuary : Left helix tapered, Right helix tapered, Ø8 Cylindrical, Flexible shaft adapter Zn. Plated Spindles .
- Shaft: C 1050 Tapered 1:50 Both Ends
- Bearings: 6302 ZZ Ball Bearings.
- Frame : Cast Aluminium



Polishing Motor BM 39K 400 W 3000 r.p.m.



MOTOR TYPE	MOTOR CODE	VOLT. (V)	CURRENT (Amp)	POWER (W)	FREQ. (Hz)	SPEED STEP	SPEED (RPM)
BM39K	939.69.011	220	1.5	400	50	-	3000

Remarks:

- Documents here includes only reference values. BALKAN MOTOR A.Ş. has the right to revise them without any prior information.
- BALKAN MOTOR A.Ş. could modify all its products according to customer requirements.

BALKAN MOTOR SANAYİ VE TİCARET A.Ş.

Yenibosna Sanayi Caddesi No:21 34530 Bahçelievler/İstanbul/TÜRKİYE

Tel:+90 (212)551 01 00 (7 Lines) Fax: +90 (212) 551 31 67 www.balkanmotor.com.tr e-mail: balkan@balkanmotor.com.tr.

