

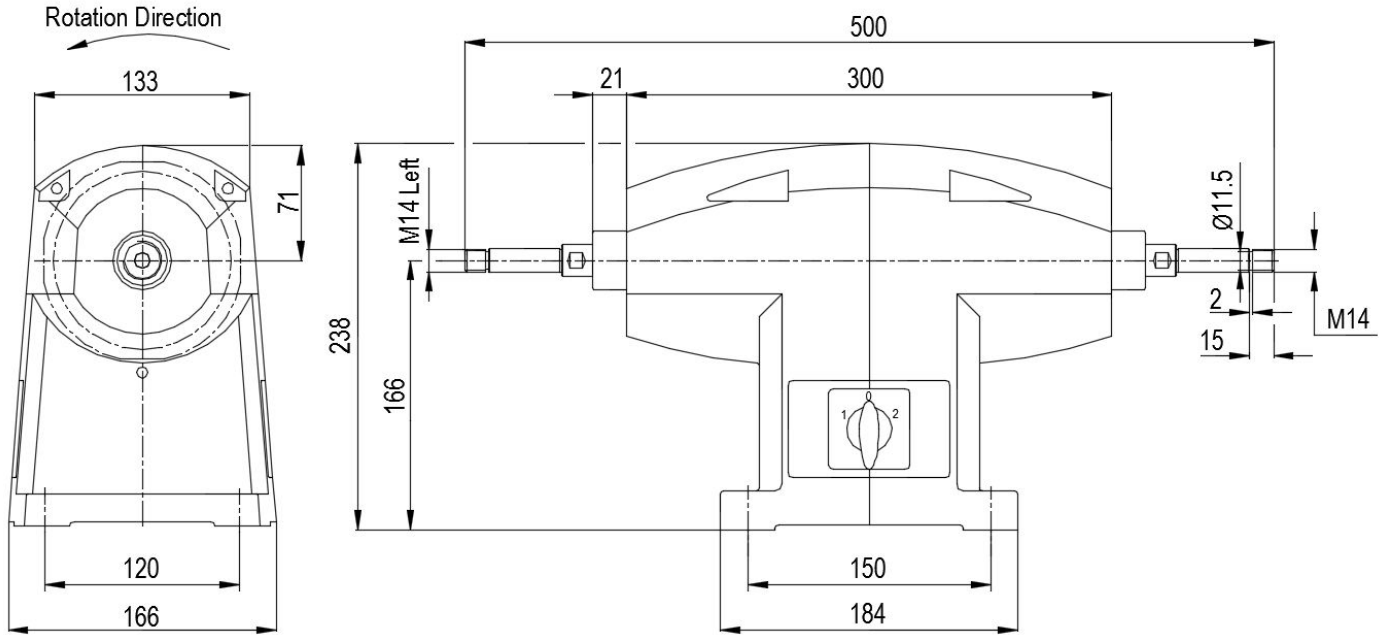


BM39E

- Motor Type: 220V~Single Phase Induction Motor
- Insulation Class: B
- Accessuary : Left Tapered Spindle . Ni. Plated 1 pcs
Right Tapered Spindle . Ni. Plated 1 pcs
- Shaft: C 1050
- Bearings: 6004 ZZ Ball Bearings.
- Frame : Cast Aluminium



Polishing Motor BM 39E 700 W 3000 r.p.m.



MOTOR TYPE	MOTOR CODE	VOLT (V)	CURRENT (Amp)	POWER (W)	FREQ (Hz)	SPEED STEP	SPEED (RPM)
BM39E	939.69.005	220	3.5	700	50	-	3000

Remarks:

- Documents here includes only reference values. BALKAN MOTOR A.Ş. has the right to revise them without any prior information.
- BALKAN MOTOR A.Ş. could modify all its products according to customer requirements.

BALKAN MOTOR SANAYİ VE TİCARET A.Ş.

Yeni Bosna Sanayi Caddesi No:21 34530 Bahçelievler/İstanbul/TÜRKİYE

Tel:+90 (212)551 01 00 (7 Lines) Fax: +90 (212) 551 31 67 www.balkanmotor.com.tr e-mail: balkan@balkanmotor.com.tr

