

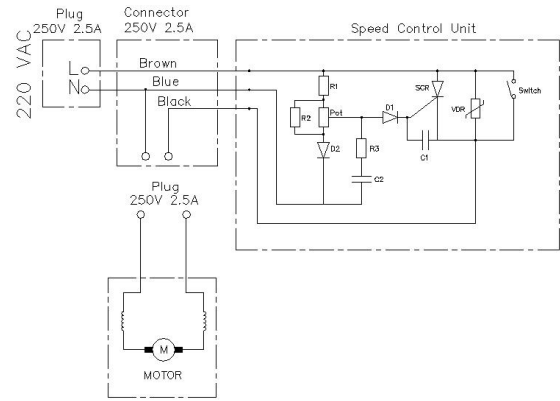
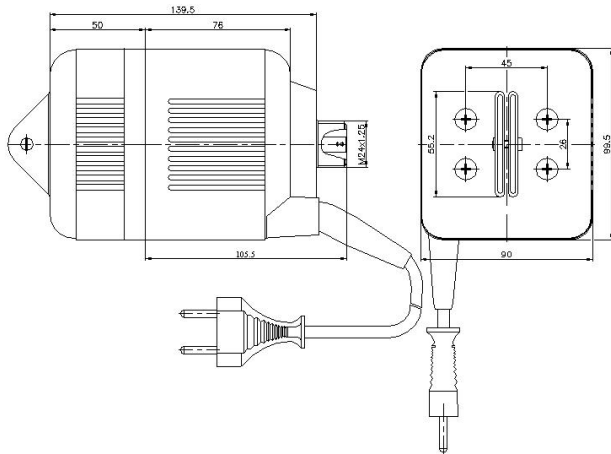


Type: BM 25M

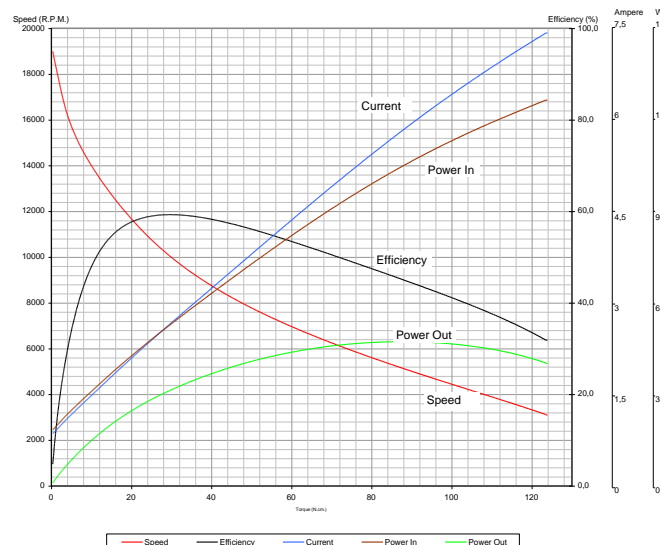
800 WATT, 220/240VAC, 25.000 r.p.m..

For the ultimate performance in all applications including jewellery, moulding and dental laboratory. BM25M offers high torque at all speeds and smooth, controlled acceleration up to 25.000 r.p.m.

Flexible Shaft Machine



MOTOR TYPE	MOTOR CODE	TEST VOLT. (V)	TEST FREQ. (Hz)	MOTOR PERFORMANCE VALUES													
				At No Load			At Stall			At Maximum Efficiency			At Maximum Power				
				Speed (RPM)	Cur. (Amp)	Torque (Ncm)	Cur. (Amp)	Torque (Ncm)	Speed (RPM)	Cur. (Amp)	Eff. (%)	Pout (W)	Torque (Ncm)	Speed (RPM)	Cur. (Amp)	Eff. (%)	Pout (W)
BM25M	925.55.041	220	50	18981	0.856	137.85	7.417	29.76	10022	2.652	59.22	312.39	87.41	5153	5.804	45.16	471.75



Remarks:

- Documents here includes only reference values. BALKAN MOTOR A.Ş. has the right to revise them without any prior information.
- BALKAN MOTOR A.Ş. could modify all its products according to customer requirements.

BALKAN MOTOR SANAYİ VE TİCARET A.Ş.

Yeni Bosna Sanayi Caddesi No:21 34530 Bahçelievler/İstanbul/TURKEY

Tel:+90 (212)551 01 00 (7 Lines) Fax: +90 (212) 551 31 67 www.balkanmotor.com.tr e-mail: balkan@balkanmotor.com.tr

