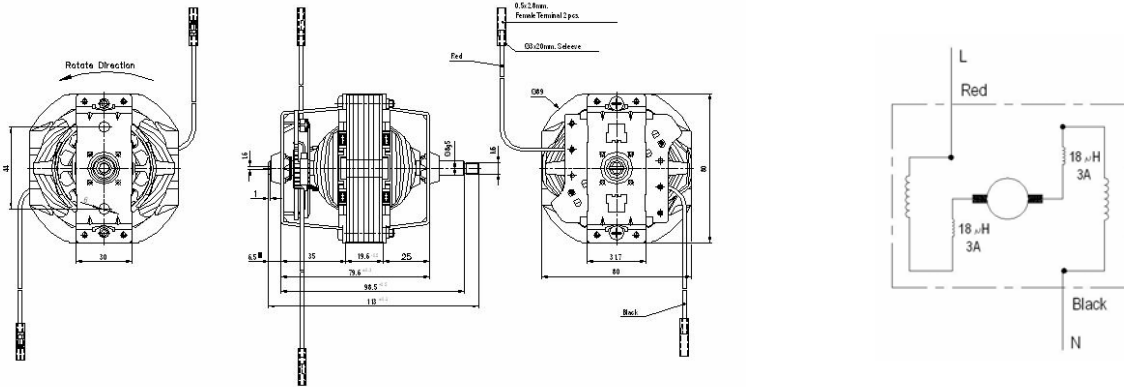
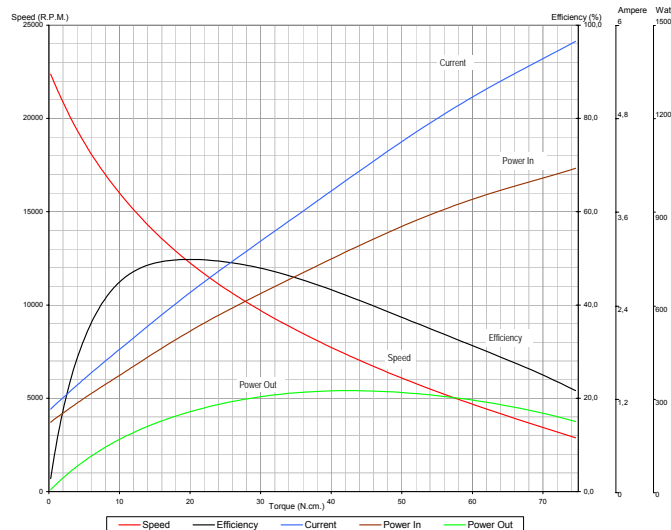


- Protection class: 0
- Insulation class: F
- Motor shaft: Ck 45.
- RFI suppressor: 18µH 3A choke coil
- Cables: H05V-K 0.75mm² VDE approved
- Bearings: Sinter Bronze.

Universal Motor 220V (BM65F 965.94.105)



MOTOR TYPE	MOTOR CODE	TEST VOLT. (V)	TEST FREQ. (Hz)	MOTOR PERFORMANCE VALUES													
				At No Load		At Stall		At Maximum Efficiency				At Maximum Power					
				Speed (RPM)	Cur. (Amp)	Torque (Ncm)	Cur. (Amp)	Torque (Ncm)	Speed (RPM)	Cur. (Amp)	Eff. (%)	Pout (W)	Torque (Ncm)	Speed (RPM)	Cur. (Amp)	Eff. (%)	Pout (W)
BM65F	965.94.105	220	50	22623	1.033	84.98	5.798	20.02	12249	2.56	49.77	256.78	42.49	7292	4.027	41.86	324.46



Remarks:
 • Documents here includes only reference values. BALKAN MOTOR A.Ş. has the right to revise them without any prior information.
 • BALKAN MOTOR A.Ş. could modify all its products according to customer requirements.

BALKAN MOTOR SANAYİ VE TİCARET A.Ş.

Yenibosna Sanayi Caddesi No:21 34530 Bahçelievler/İstanbul/TURKEY

Tel:+90 (212)551 01 00 (7 Lines) Fax: +90 (212) 551 31 67 www.balkanmotor.com e-mail: balkan@balkanmotor.com



Quality management system ISO 9001

- Customer focus
- Customer satisfaction
- Continuous improvement
- System/process effectiveness

ID 15 100 53007