

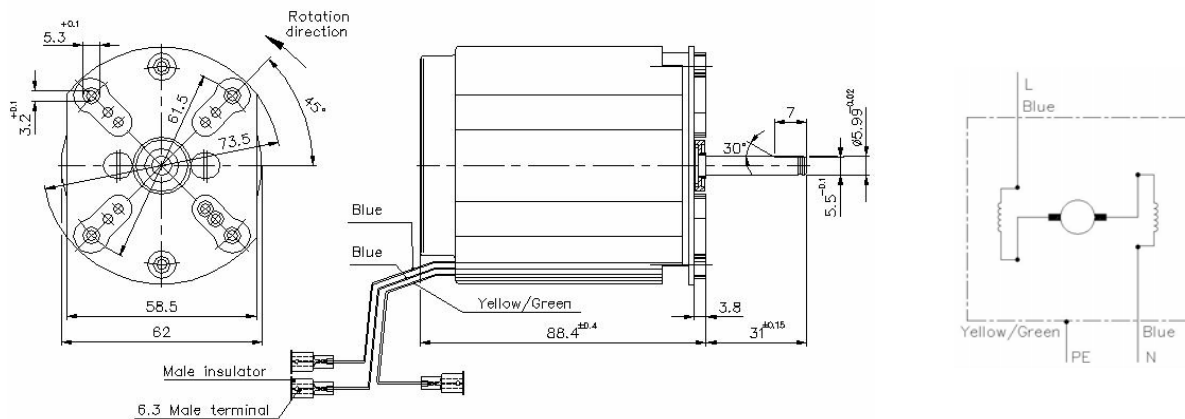


**BALKAN
MOTOR**
SANAYİ VE TİCARET A.Ş.
Since 1953

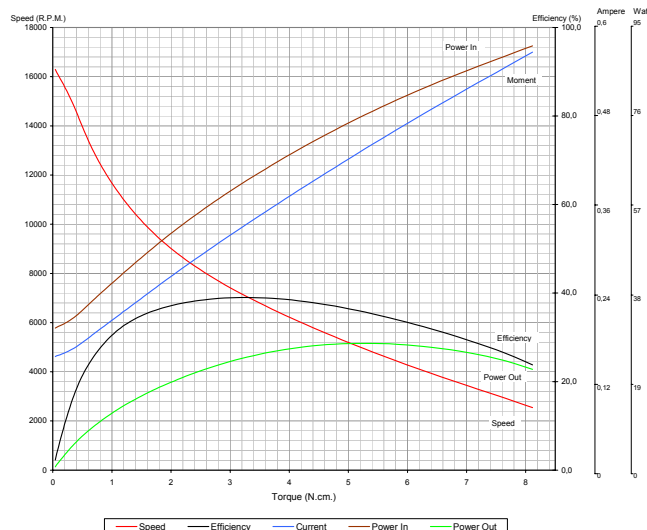


- Protection class: I
- Insulation class: F
- Motor shaft: AISI 303 Stainless steel.
- Thermal protector: 85°C on/off
- Cables: H03VV-F 0.50mm² VDE approved
- Bearings: Sinter Bronze.

Universal Motor (BM70A 970.10.001)



| MOTOR TYPE | MOTOR CODE | TEST VOLT. (V) | TEST FREQ. (Hz) | MOTOR PERFORMANCE VALUES | | | | | | | | | | | | | |
|------------|------------|----------------|-----------------|--------------------------|------------|--------------|------------|-----------------------|-------------|------------|----------|------------------|--------------|-------------|------------|----------|----------|
| | | | | At No Load | | At Stall | | At Maximum Efficiency | | | | At Maximum Power | | | | | |
| | | | | Speed (RPM) | Cur. (Amp) | Torque (Ncm) | Cur. (Amp) | Torque (Ncm) | Speed (RPM) | Cur. (Amp) | Eff. (%) | Pout (W) | Torque (Ncm) | Speed (RPM) | Cur. (Amp) | Eff. (%) | Pout (W) |
| BM70A | 970.10.001 | 220 | 50 | 16481 | 0.153 | 8.78 | 0.573 | 3.26 | 7082 | 0.332 | 39.01 | 24.19 | 5.28 | 4928 | 0.435 | 35.72 | 27.23 |



Remarks:
 • Documents here includes only reference values. BALKAN MOTOR A.Ş. has the right to revise them without any prior information.
 • BALKAN MOTOR A.Ş. could modify all its products according to customer requirements.

BALKAN MOTOR SANAYİ VE TİCARET A.Ş.

Yenibosna Sanayi Caddesi No:21 34530 Bahçelievler/Istanbul/TURKEY

Tel:+90 (212)551 01 00 (7 Lines) Fax: +90 (212) 551 31 67 www.balkanmotor.com

e-mail: balkan@balkanmotor.com



Quality management system
ISO 9001

- Customer focus
- Customer satisfaction
- Continuous improvement
- System/process effectiveness

ID 15 100 53007

www.tuev-thueringen.de