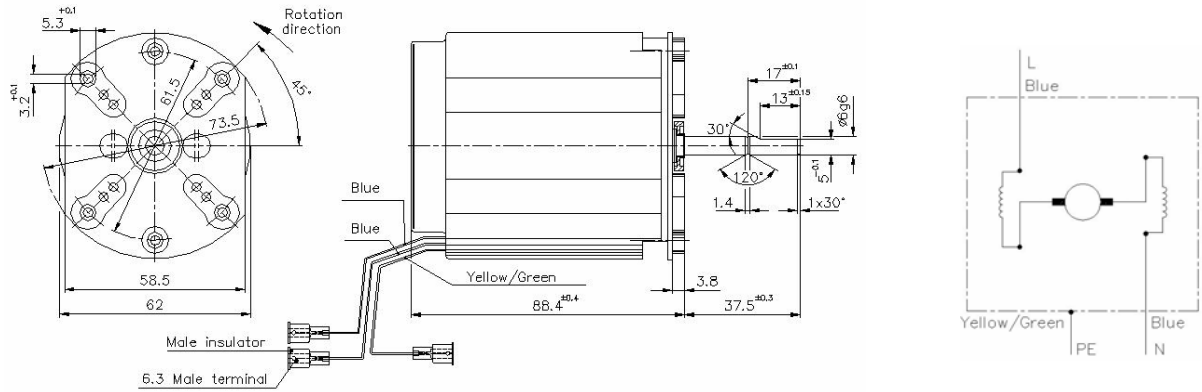


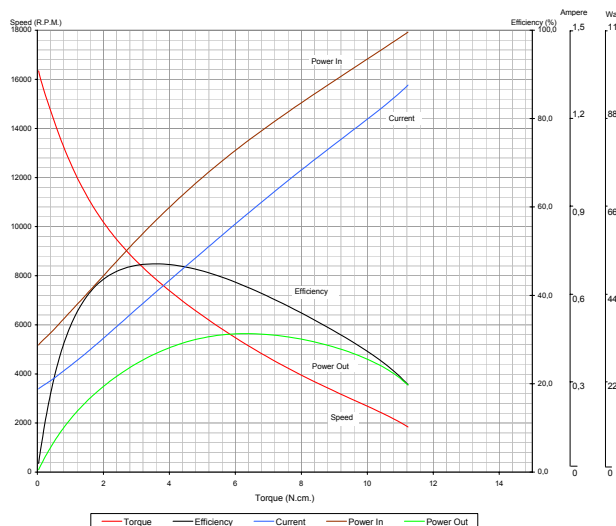


- Protection class: I
- Insulation class: F
- Motor shaft: AISI 303 Stainless steel.
- Thermal protector: 85°C on/off
- Cables: 22AWG 105°C 300V UL approved
- Bearings: Sinter Bronze.

### Universal Motor (BM70F 970.10.006)



MOTOR TYPE	MOTOR CODE	TEST VOLT. (V)	TEST FREQ. (Hz)	MOTOR PERFORMANCE VALUES													
				At No Load		At Stall		At Maximum Efficiency				At Maximum Power					
				Speed (RPM)	Cur. (Amp)	Torque (Ncm)	Cur. (Amp)	Torque (Ncm)	Speed (RPM)	Cur. (Amp)	Eff. (%)	Pout (W)	Torque (Ncm)	Speed (RPM)	Cur. (Amp)	Eff. (%)	Pout (W)
BM70F	970.10.006	120	50	16499	0.28	11.58	1.321	3.58	7872	0.61	47.15	29.49	6.33	5201	0.873	41.98	34.48



Remarks:  
 • Documents here includes only reference values. BALKAN MOTOR A.Ş. has the right to revise them without any prior information.  
 • BALKAN MOTOR A.Ş. could modify all its products according to customer requirements.

**BALKAN MOTOR SANAYİ VE TİCARET A.Ş.**

Yeni Bosna Sanayi Caddesi No:21 34530 Bahçelievler/Istanbul/TURKEY

Tel: +90 (212) 551 01 00 (7 Lines) Fax: +90 (212) 551 31 67 www.balkanmotor.com e-mail: balkan@balkanmotor.com



Quality management system  
 ISO 9001  
 • Customer focus  
 • Customer satisfaction  
 • Continuous improvement  
 • System/process effectiveness  
 ID 15 100 53007