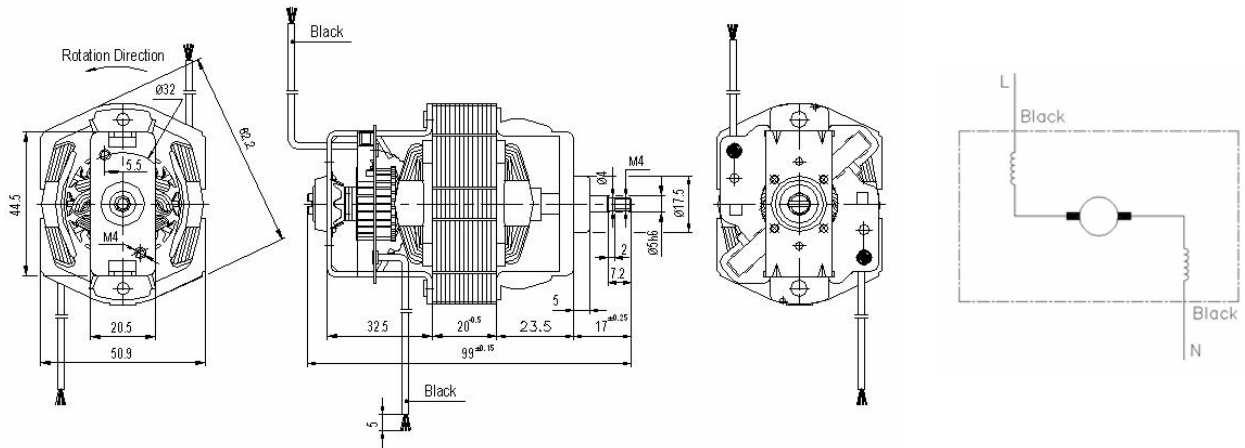
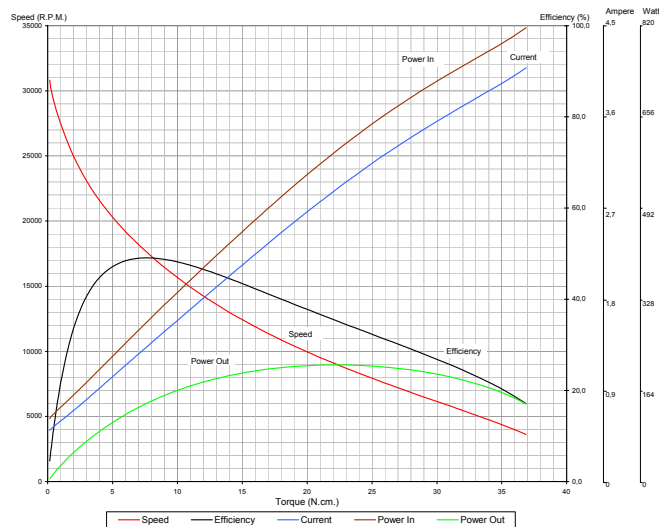


- Protection class: 0
- Insulation class: F
- Motor shaft: Ck 45.
- Cables: H05V-K 0.50mm<sup>2</sup> VDE approved
- Bearings: Front: 625ZZ Ball Bearing  
Rear : Sinter Bronze.

## Universal Motor 230V (BM62A 962.12.001)



MOTOR TYPE	MOTOR CODE	TEST VOLT. (V)	TEST FREQ. (Hz)	MOTOR PERFORMANCE VALUES													
				At No Load			At Stall			At Maximum Efficiency				At Maximum Power			
				Speed (RPM)	Cur. (Amp)	Torque (Ncm)	Cur. (Amp)	Torque (Ncm)	Speed (RPM)	Cur. (Amp)	Eff. (%)	Pout (W)	Torque (Ncm)	Speed (RPM)	Cur. (Amp)	Eff. (%)	Pout (W)
BM62A	962.12.001	230	50	31187	0.498	39.13	4.113	7.65	17596	1.332	49.09	140.99	22.23	9016	2.883	35.21	209.90



### Remarks:

- Documents here includes only reference values. BALKAN MOTOR A.Ş. has the right to revise them without any prior information.
- BALKAN MOTOR A.Ş. could modify all its products according to customer requirements.

### BALKAN MOTOR SANAYİ VE TİCARET A.Ş.

Yenibosna Sanayi Caddesi No:21 34530 Bahçelievler/İstanbul/TURKEY

Tel:+90 (212)551 01 00 (7 Lines) Fax: +90 (212) 551 31 67 www.balkanmotor.com e-mail: balkan@balkanmotor.com



Quality management system  
ISO 9001

- Customer focus
- Customer satisfaction
- Continuous improvement
- System/process effectiveness

ID 15 100 53007

www.tuv-thuringen.de