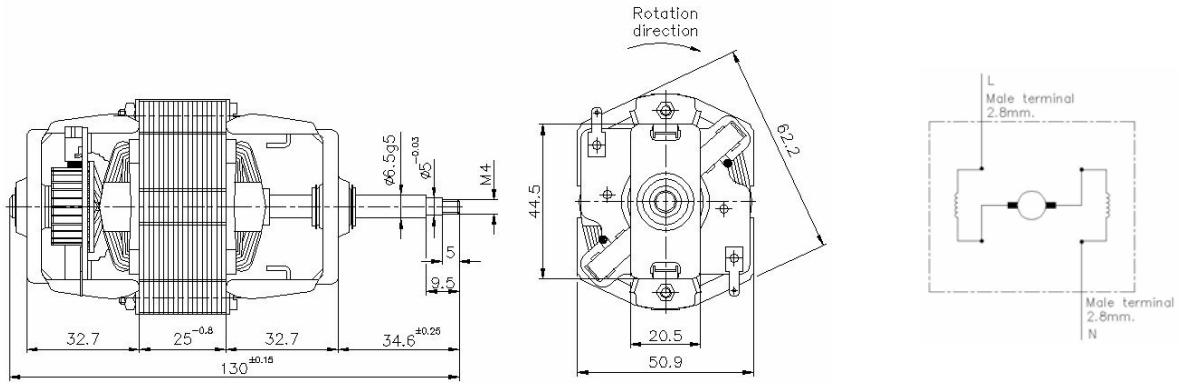
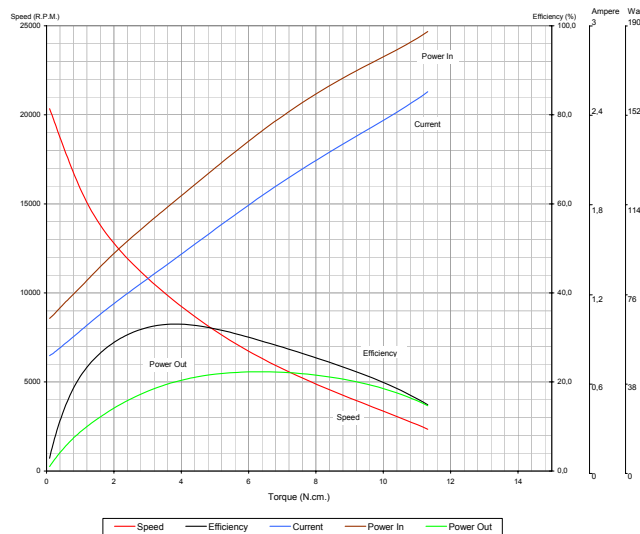


- Protection class: 0
- Insulation class: F.
- Motor shaft: Ck45
- Bearings: Sinter Bronze.

Universal Motor (BM76A 976.10.001)



| MOTOR TYPE | MOTOR CODE | TEST VOLT. (V) | TEST FREQ. (Hz) | MOTOR PERFORMANCE VALUES | | | | | | | | | | | | | |
|------------|------------|----------------|-----------------|--------------------------|------------|--------------|------------|-----------------------|-------------|------------|----------|------------------|--------------|-------------|------------|----------|----------|
| | | | | At No Load | | At Stall | | At Maximum Efficiency | | | | At Maximum Power | | | | | |
| | | | | Speed (RPM) | Cur. (Amp) | Torque (Ncm) | Cur. (Amp) | Torque (Ncm) | Speed (RPM) | Cur. (Amp) | Eff. (%) | Pout (W) | Torque (Ncm) | Speed (RPM) | Cur. (Amp) | Eff. (%) | Pout (W) |
| BM76A | 976.10.001 | 85 | 50 | 20541 | 0.771 | 12.39 | 2.556 | 3.83 | 9505 | 1.432 | 33.01 | 38.09 | 6.33 | 6386 | 1.845 | 29.32 | 42.35 |



Remarks:

- Documents here includes only reference values. BALKAN MOTOR A.Ş. has the right to revise them without any prior information.
- BALKAN MOTOR A.Ş. could modify all its products according to customer requirements.

BALKAN MOTOR SANAYİ VE TİCARET A.Ş.

Yenibosna Sanayi Caddesi No:21 34530 Bahçelievler/İstanbul/TURKEY

Tel:+90 (212)551 01 00 (7 Lines) Fax: +90 (212) 551 31 67 www.balkanmotor.com e-mail: balkan@balkanmotor.com



Quality management system ISO 9001

- Customer focus
- Customer satisfaction
- Continuous improvement
- System/process effectiveness

ID 15 100 53007

www.tuv-thuringen.de