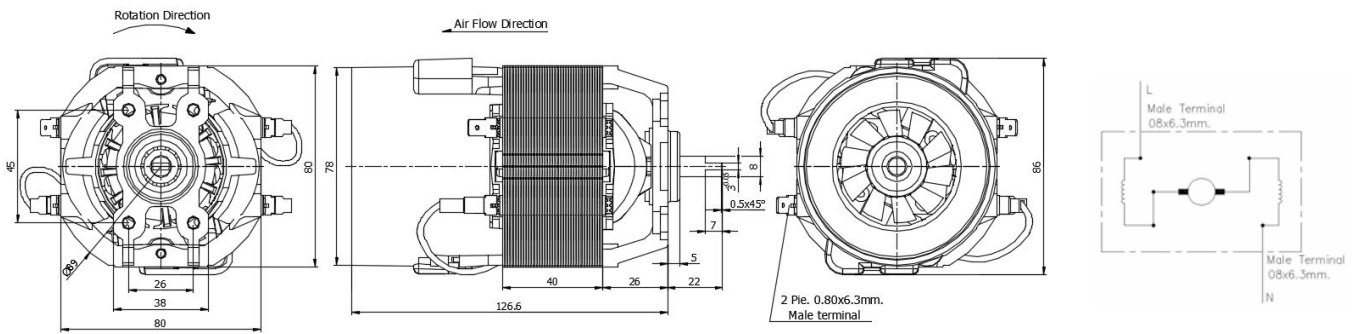


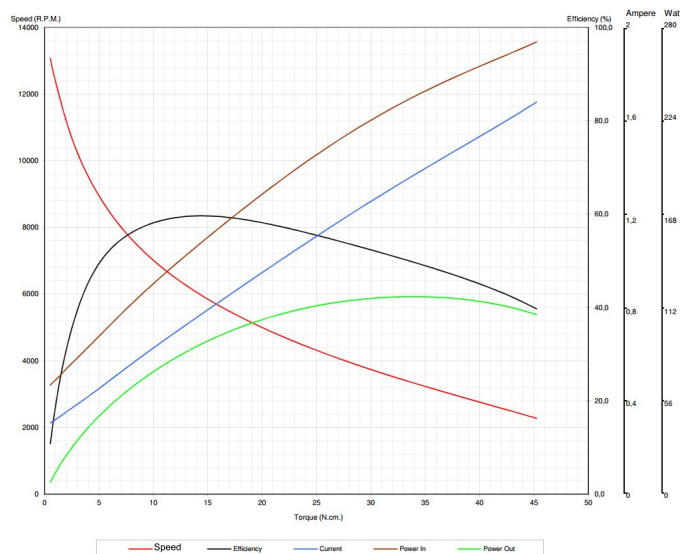
**BALKAN
MOTOR**
SANAYİ VE TİCARET A.Ş.
Since 1953

- Protection class: 0
- Insulation class: F
- Motor shaft: Ck 45
- Bearings: 608 ZZ Ball Bearings

Universal Motor 220V (BM61F 961.91.051)



| MOTOR TYPE | MOTOR CODE | TEST VOLT. (V) | TEST FREQ. (Hz) | MOTOR PERFORMANCE VALUES | | | | | | | | | | | | | |
|------------|------------|----------------|-----------------|--------------------------|------------|--------------|------------|-----------------------|-------------|------------|----------|------------------|--------------|-------------|------------|----------|----------|
| | | | | At No Load | | At Stall | | At Maximum Efficiency | | | | At Maximum Power | | | | | |
| | | | | Speed (RPM) | Cur. (Amp) | Torque (Ncm) | Cur. (Amp) | Torque (Ncm) | Speed (RPM) | Cur. (Amp) | Eff. (%) | Pout (W) | Torque (Ncm) | Speed (RPM) | Cur. (Amp) | Eff. (%) | Pout (W) |
| BM61F | 961.91.051 | 220 | 50 | 13274 | 0.301 | 50.54 | 1.723 | 14.42 | 5966 | 0.771 | 59.64 | 90.06 | 33.91 | 3336 | 1.366 | 49.72 | 118.5 |



Remarks:

- Documents here includes only reference values. BALKAN MOTOR A.Ş. has the right to revise them without any prior information.
- BALKAN MOTOR A.Ş. could modify all its products according to customer requirements.

BALKAN MOTOR SANAYİ VE TİCARET A.Ş.

Yeni Bosna Sanayi Caddesi No:21 34530 Bahçelievler/İstanbul/TURKEY

Tel:+90 (212)551 01 00 (7 Lines) Fax: +90 (212) 551 31 67 www.balkanmotor.com

e-mail: balkan@balkanmotor.com



Quality management system
ISO 9001

- Customer focus
- Customer satisfaction
- Continuous improvement
- System/process effectiveness

ID 15 100 53007

www.tuv-thuringen.de