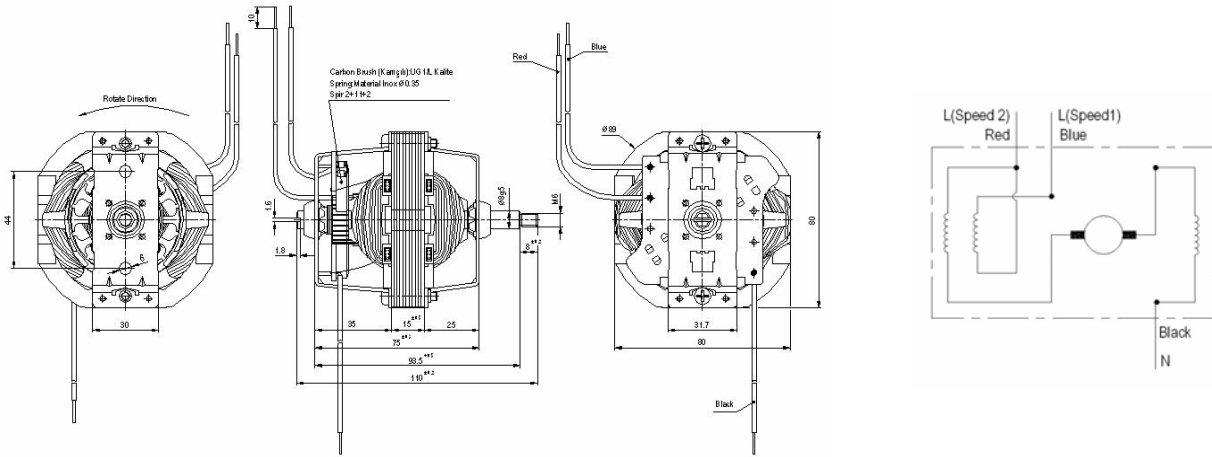
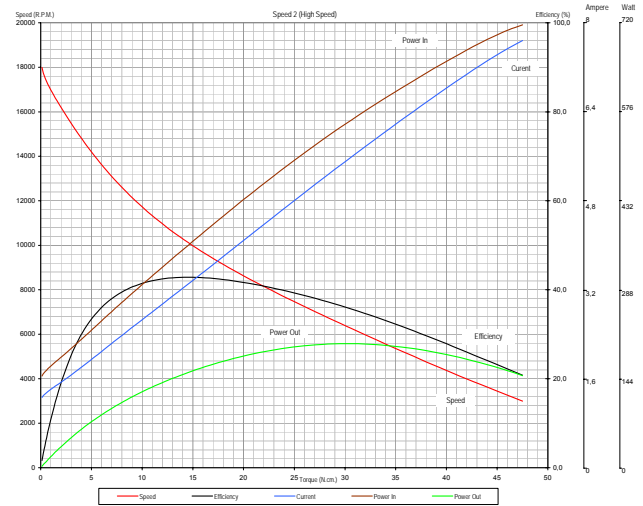
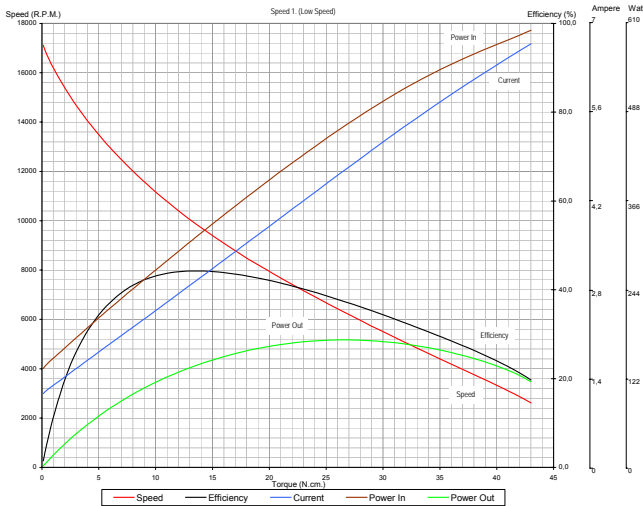


- Protection class: 0
- Insulation class: F
- Motor shaft: Ck 45.
- Cables: 18AWG 105°C 600W
- Bearings: Sinter Bronze.

Universal Motor 120V(BM64G 964.94.033)



MOTOR TYPE	MOTOR CODE	TEST VOLT. (V)	TEST FREQ. (Hz)	SPEED STEP	MOTOR PERFORMANCE VALUES													
					At No Load		At Stall		At Maximum Efficiency				At Maximum Power					
					Speed (RPM)	Cur. (Amp)	Torque (Ncm)	Cur. (Amp)	Torque (Ncm)	Speed (RPM)	Cur. (Amp)	Eff. (%)	Pout (W)	Torque (Ncm)	Speed (RPM)	Cur. (Amp)	Eff. (%)	Pout (W)
BM64G	964.94.033	120	50	1	17233	1.149	44.89	6.678	13.48	9882	2.932	44.26	139.64	26.56	6299	4.678	37.41	175.25
				2	18095	1.255	53.8	7.693	14.53	10124	3.301	42.82	154.04	30.33	6323	5.547	35.9	200.86



Remarks:

- Documents here includes only reference values. BALKAN MOTOR A.Ş. has the right to revise them without any prior information.
- BALKAN MOTOR A.Ş. could modify all its products according to customer requirements.

BALKAN MOTOR SANAYİ VE TİCARET A.Ş.

Yenibosna Sanayi Caddesi No:21 34530 Bahçelievler/İstanbul/TURKEY

Tel:+90 (212)551 01 00 (7 Lines) Fax: +90 (212) 551 31 67 www.balkanmotor.com

e-mail: balkan@balkanmotor.com



Quality management system ISO 9001

- Customer focus
- Customer satisfaction
- Continuous improvement
- System/process effectiveness

ID 15 100 53007

www.tuv-thuringen.de