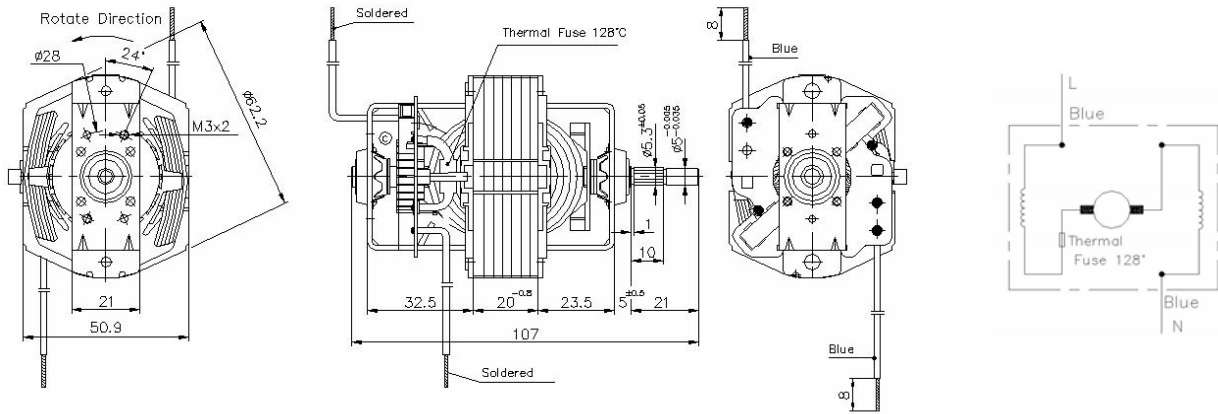
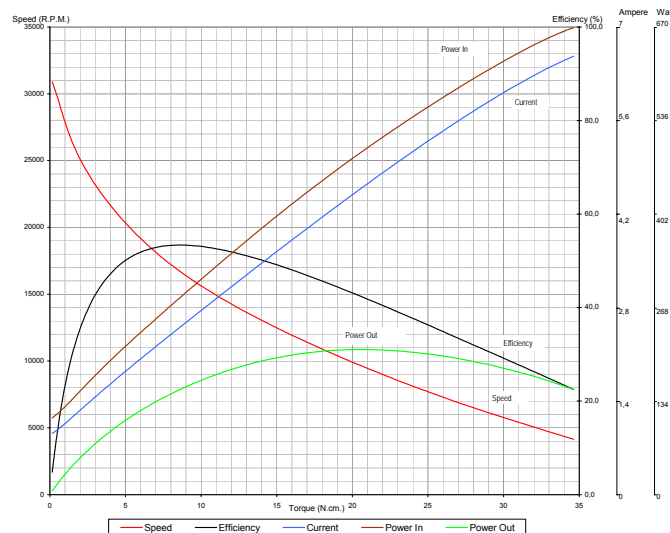


- Protection class: 0
- Insulation class: F
- Motor shaft: Ck 45.
- Thermal Protector: Thermal fuse 128°C
- Cables: 18AWG 105°C 600V
- Bearings: Sinter Bronze.

Universal Motor 120V (BM62M 962.12.021)



MOTOR CODE	TEST VOLT. (V)	TEST FREQ. (Hz)	MOTOR PERFORMANCE VALUES													
			At No Load		At Stall		At Maximum Efficiency				At Maximum Power					
			Speed (RPM)	Cur. (Amp)	Torque (Ncm)	Cur. (Amp)	Torque (Ncm)	Speed (RPM)	Cur. (Amp)	Eff. (%)	Pout (W)	Torque (Ncm)	Speed (RPM)	Cur. (Amp)	Eff. (%)	Pout (W)
962.12.021	120	50	31116	0.91	40.12	6.603	8.64	16687	2.512	53.37	150.92	20.55	9661	4.581	42.42	207.91



Remarks:

- Documents here includes only reference values. BALKAN MOTOR A.Ş. has the right to revise them without any prior information.
- BALKAN MOTOR A.Ş. could modify all its products according to customer requirements.

BALKAN MOTOR SANAYİ VE TİCARET A.Ş.

Yenibosna Sanayi Caddesi No:21 34530 Bahçelievler/Istanbul/TURKEY

Tel:+90 (212)551 01 00 (7 Lines) Fax: +90 (212) 551 31 67 www.balkanmotor.com e-mail: balkan@balkanmotor.com



Quality management system
ISO 9001

- Customer focus
- Customer satisfaction
- Continuous improvement
- System/process effectiveness

ID 15 100 53007