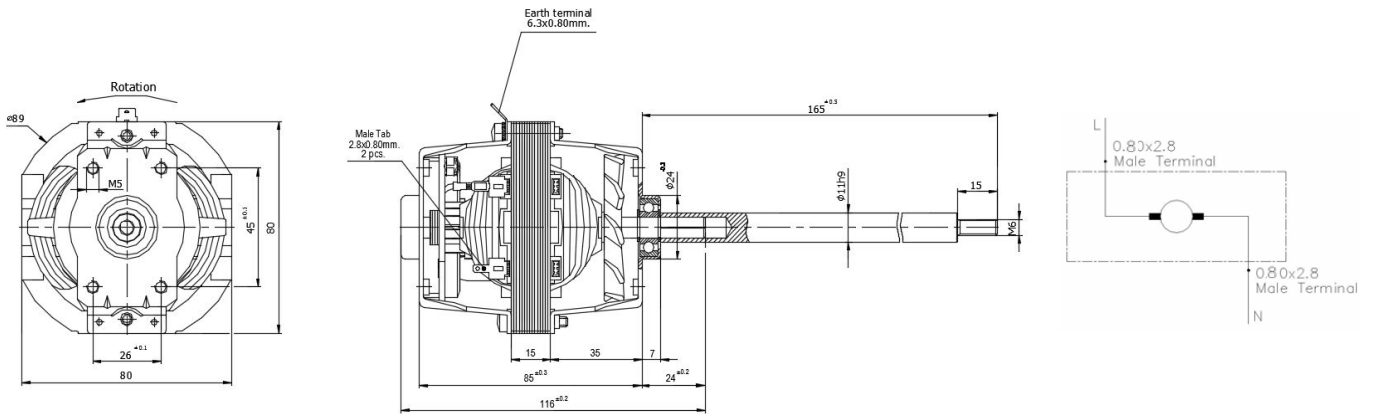


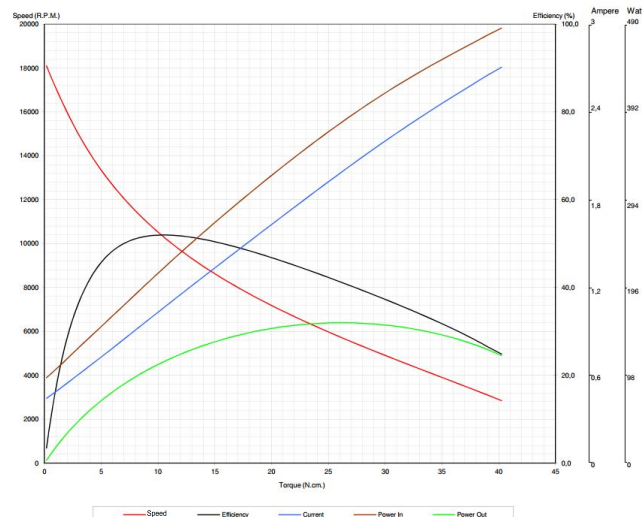
**BALKAN
MOTOR**
SANAYİ VE TİCARET A.Ş.
Since 1953

Universal Motor (BM63F 963.94.010)

- Motor shaft: Ck45 20-22HRC.
- Mixer shaft: AISI 303
- Insulation Class: F
- Bearings: Front;608 ZZ Ball bearing
Rear;608 ZZ Ball bearing



MOTOR TYPE	MOTOR CODE	NOM. VOLT. (V)	FREQ. (Hz)	MOTOR PERFORMANCE VALUES													
				At No Load			At Stall		At Maximum Efficiency				At Maximum Power				
				Speed (RPM)	Cur. (Amp)	Torque (Ncm)	Cur. (Amp)	Torque (Ncm)	Speed (RPM)	Cur. (Amp)	Eff. (%)	Pout (W)	Torque (Ncm)	Speed (RPM)	Cur. (Amp)	Eff. (%)	Pout (W)
BM63F	963.94.010	230	50	18196	0.44	44.62	2.706	10.5	10303	1.063	51.99	133.34	26.07	5741	1.985	41.28	156.72



Remarks:

- Documents here includes only reference values. BALKAN MOTOR A.Ş. has the right to revise them without any prior information.
- BALKAN MOTOR A.Ş. could modify all its products according to customer requirements.

BALKAN MOTOR SANAYİ VE TİCARET A.Ş.

Yeniöosna Sanayi Caddesi No:21 34530 Bahçelievler/Istanbul/TÜRKİYE

Tel:+90 (212)551 01 00 (7 Lines) Fax: +90 (212) 551 31 67 www.balkanmotor.com e-mail: balkan@balkanmotor.com



Quality management system
ISO 9001

- Customer focus
- Customer satisfaction
- Continuous improvement
- System/process effectiveness

ID 15 100 53007

www.tuv-rheinland.com