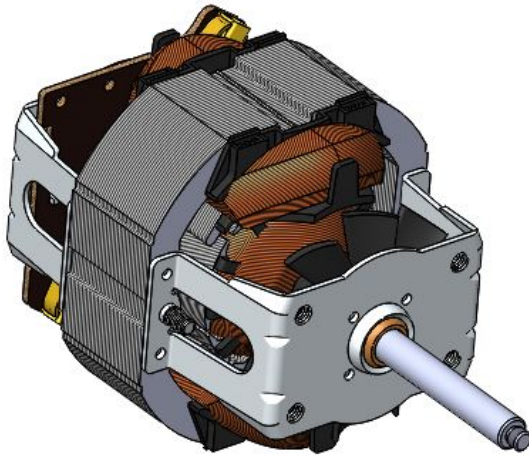


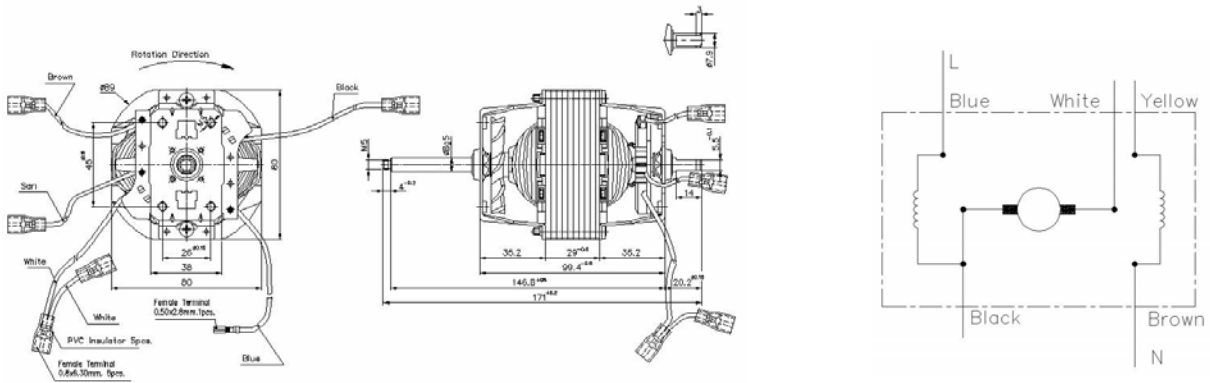


**BALKAN  
MOTOR**  
SANAYİ VE TİCARET A.Ş.  
Since 1953

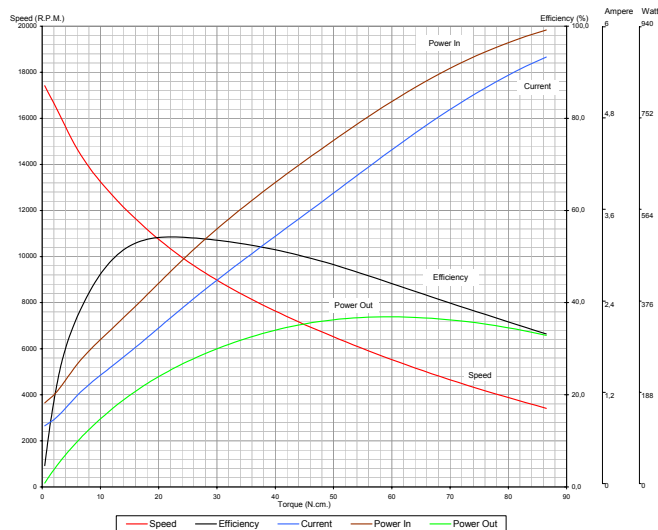


- Protection class: 0
- Insulation class: F
- Motor shaft: Ck 45.
- Cables: H05V-K 0.75mm<sup>2</sup> VDE approved
- Bearings: Sinter Bronze.

## Universal Motor 230V (BM64P 964.94.009)



MOTOR TYPE	MOTOR CODE	TEST VOLT. (V)	TEST FREQ. (Hz)	MOTOR PERFORMANCE VALUES													
				At No Load		At Stall		At Maximum Efficiency				At Maximum Power					
				Speed (RPM)	Cur. (Amp)	Torque (Ncm)	Cur. (Amp)	Torque (Ncm)	Speed (RPM)	Cur. (Amp)	Eff. (%)	Pout (W)	Torque (Ncm)	Speed (RPM)	Cur. (Amp)	Eff. (%)	Pout (W)
BM64P	964.94.009	230	50	17637	0.774	102.59	5.598	22.15	10312	2.209	54.25	239.17	59.55	5566	4.365	44.34	347.12



Remarks:  
 • Documents here includes only reference values. BALKAN MOTOR A.Ş. has the right to revise them without any prior information.  
 • BALKAN MOTOR A.Ş. could modify all its products according to customer requirements.

**BALKAN MOTOR SANAYİ VE TİCARET A.Ş.**

Yenibosna Sanayi Caddesi No:21 34530 Bahçelievler/İstanbul/TURKEY

Tel:+90 (212)551 01 00 (7 Lines) Fax: +90 (212) 551 31 67 www.balkanmotor.com e-mail: balkan@balkanmotor.com



Quality management system  
ISO 9001

- Customer focus
- Customer satisfaction
- Continuous improvement
- System/process effectiveness

ID 15 100 53007

www.tuv-thuingen.de