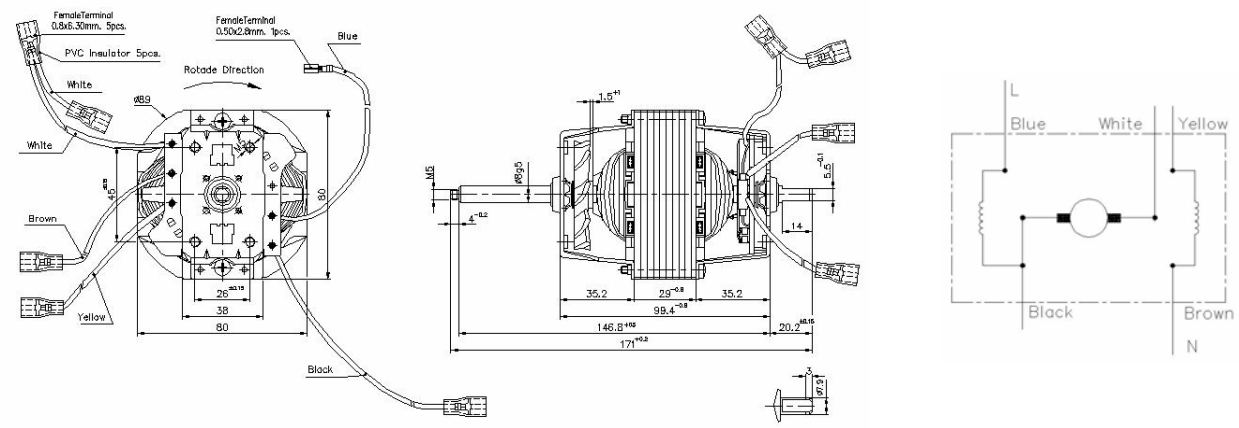


- Protection class: 0
- Insulation class: F
- Motor shaft: Ck 45.
- Cables: H05V-K 0.75mm² VDE approved
- Bearings: Sinter Bronze.

Universal Motor 230V (BM64T 964.94.010)



MOTOR TYPE	MOTOR CODE	TEST VOLT. (V)	TEST FREQ. (Hz)	MOTOR PERFORMANCE VALUES													
				At No Load		At Stall		At Maximum Efficiency				At Maximum Power					
				Speed (RPM)	Cur. (Amp)	Torque (Ncm)	Cur. (Amp)	Torque (Ncm)	Speed (RPM)	Cur. (Amp)	Eff. (%)	Pout (W)	Torque (Ncm)	Speed (RPM)	Cur. (Amp)	Eff. (%)	Pout (W)
BM64T	964.94.010	230	50	17637	0.774	102.59	5.598	22.15	10312	2.209	54.25	239.17	59.55	5566	4.365	44.34	347.12

