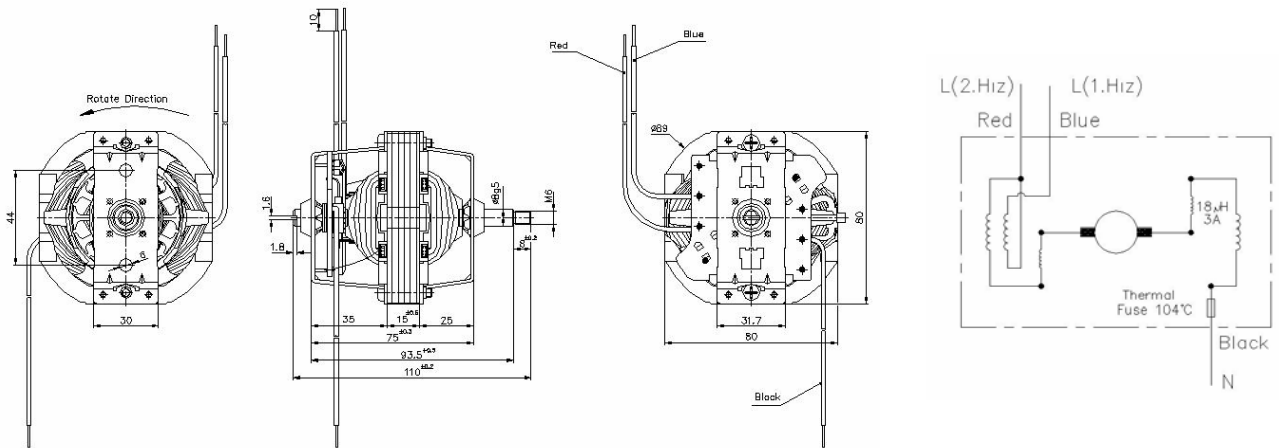
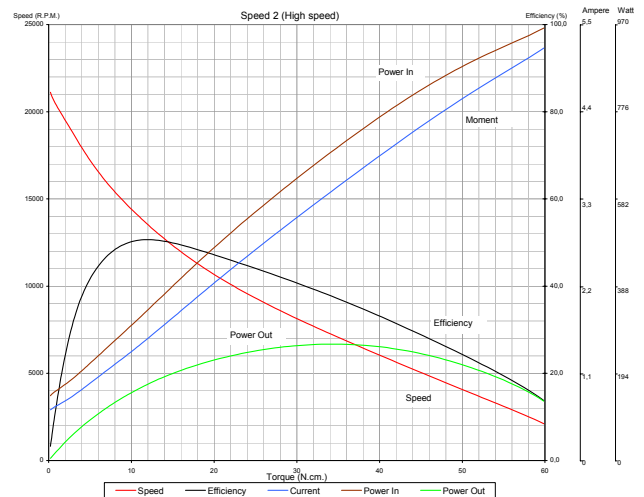
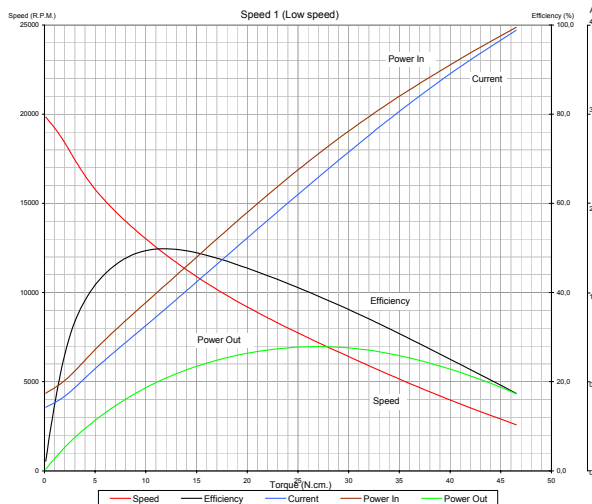


- Protection class: 0
- Insulation class: F
- Motor shaft: Ck45
- RFI suppressor: 18μH 3A choke coil
- Thermal Protector: Thermal Fuse 104°C cut off
- Cables: H05V-K 0.50mm² VDE approved
- Bearings: Sinter Bronze.

Universal Motor 230V (BM64J 964.94.055)



MOTOR TYPE	MOTOR CODE	TEST VOLT. (V)	TEST FREQ. (Hz)	SPEED STEP	MOTOR PERFORMANCE VALUES													
					At No Load			At Stall			At Maximum Efficiency				At Maximum Power			
					Speed (RPM)	Cur. (Amp)	Torque (Ncm)	Cur. (Amp)	Torque (Ncm)	Speed (RPM)	Cur. (Amp)	Eff. (%)	Pout (W)	Torque (Ncm)	Speed (RPM)	Cur. (Amp)	Eff. (%)	Pout (W)
BM64J	964.94.055	230	50	1	19944	0.563	52.6	4.012	11.88	12158	1.449	49.84	151.3	27.02	7190	2.635	39.19	203.48
				2	21311	0.625	62.83	5.203	11.94	13548	1.537	50.67	169.39	34.43	7183	3.414	37.52	259.01



Remarks:

- Documents here includes only reference values. BALKAN MOTOR A.Ş. has the right to revise them without any prior information.
- BALKAN MOTOR A.Ş. could modify all its products according to customer requirements.

BALKAN MOTOR SANAYİ VE TİCARET A.Ş.

Yenibosna Sanayi Caddesi No:21 34530 Bahçelievler/Istanbul/TURKEY

Tel:+90 (212)551 01 00 (7 Lines) Fax: +90 (212) 551 31 67 www.balkanmotor.com

e-mail: balkan@balkanmotor.com



Quality management system
ISO 9001

- Customer focus
- Customer satisfaction
- Continuous improvement
- System/process effectiveness

ID 15 100 53007

www.tuev-thueringen.de