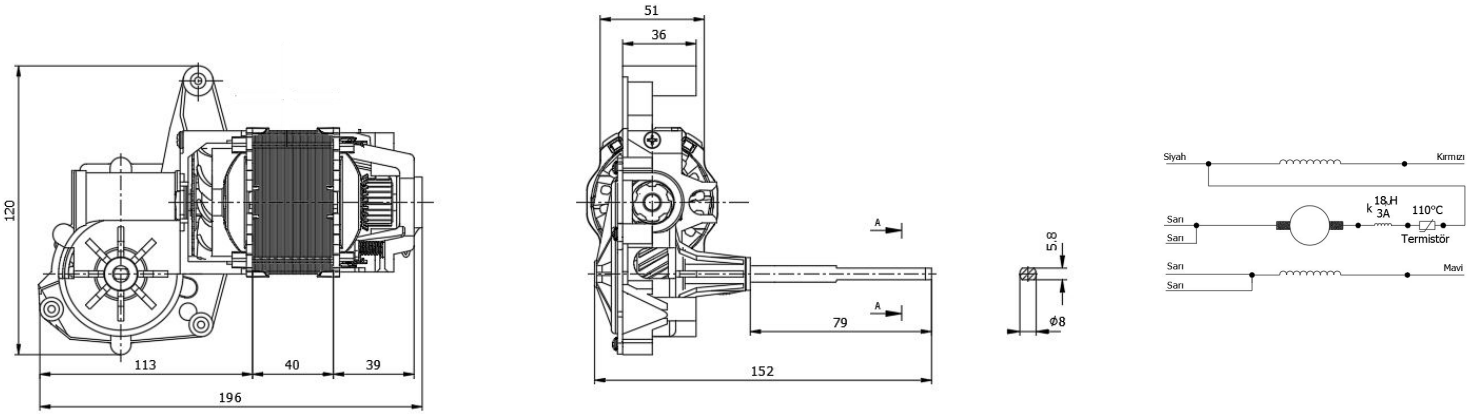
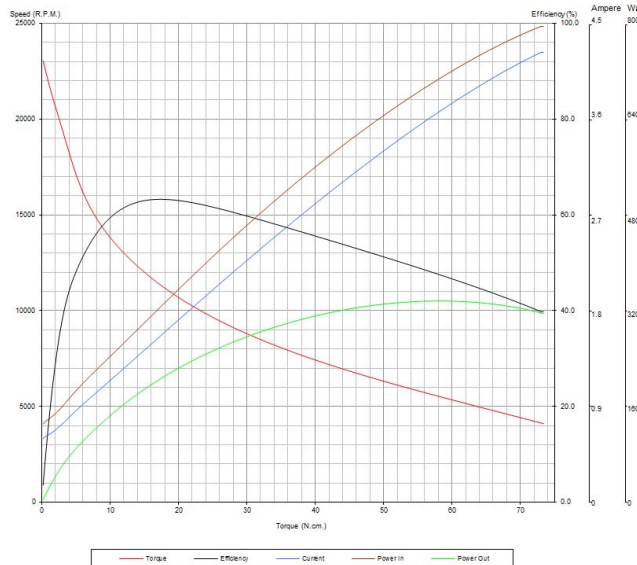


- Motor shaft: Ck45 20-22HRC.
- Insulation Class: F
- Bearings: Front; With reducer
Rear; 608 ZZ Ball bearing
- Gear ratio: 37/5

Universal Motor (BM63V 963.93.001)



MOTOR TYPE	MOTOR CODE	NOM. VOLT. (V)	FREQ. (Hz)	MOTOR PERFORMANCE VALUES													
				At No Load			At Stall		At Maximum Efficiency				At Maximum Power				
				Speed (RPM)	Cur. (Amp)	Torque (Ncm)	Cur. (Amp)	Torque (Ncm)	Speed (RPM)	Cur. (Amp)	Eff. (%)	Pout (W)	Torque (Ncm)	Speed (RPM)	Cur. (Amp)	Eff. (%)	Pout (W)
BM63V	963.93.001	220	50	23035	0.59	91.70	4.226	17.37	11343	1.654	63.26	206.34	58.22	5514	3.673	47.49	336.2



Remarks:

- Documents here includes only reference values. BALKAN MOTOR A.Ş. has the right to revise them without any prior information.
- BALKAN MOTOR A.Ş. could modify all its products according to customer requirements.

BALKAN MOTOR SANAYİ VE TİCARET A.Ş.

Yenişosna Sanayi Caddesi No:21 34530 Bahçelievler/İstanbul/TÜRKİYE

Tel:+90 (212)551 01 00 (7 Lines) Fax: +90 (212) 551 31 67 www.balkanmotor.com e-mail: balkan@balkanmotor.com



Quality management system
ISO 9001

- Customer focus
- Customer satisfaction
- Continuous improvement
- System/process effectiveness

ID 15 100 53007

www.tuv-trueningen.de