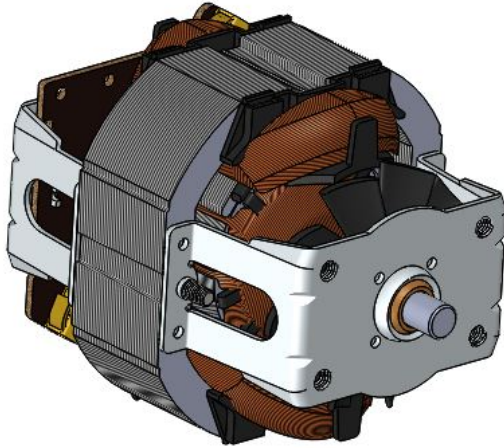


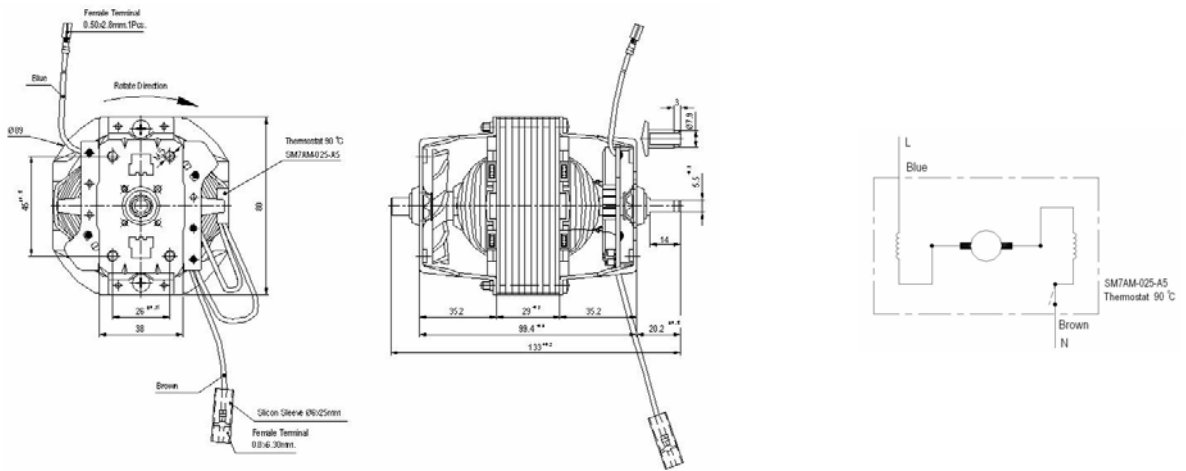


**BALKAN  
MOTOR**  
SANAYİ VE TİCARET A.Ş.  
Since 1953

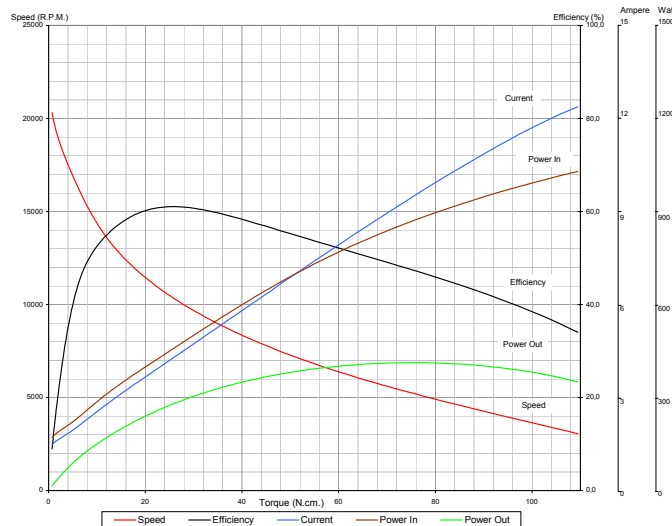


- Protection class: 0
- Insulation class: F
- Motor shaft: Ck 45.
- Thermal Protector: 90°C on/off
- Cables: 18AWG 105°C 600V
- Bearings: Sinter Bronze.

### Universal Motor 120V (BM64X 964.94.012)



| MOTOR TYPE | MOTOR CODE | TEST VOLT. (V) | TEST FREQ. (Hz) | MOTOR PERFORMANCE VALUES |            |              |            |                       |             |            |          |                  |              |             |            |          |          |
|------------|------------|----------------|-----------------|--------------------------|------------|--------------|------------|-----------------------|-------------|------------|----------|------------------|--------------|-------------|------------|----------|----------|
|            |            |                |                 | At No Load               |            | At Stall     |            | At Maximum Efficiency |             |            |          | At Maximum Power |              |             |            |          |          |
|            |            |                |                 | Speed (RPM)              | Cur. (Amp) | Torque (Ncm) | Cur. (Amp) | Torque (Ncm)          | Speed (RPM) | Cur. (Amp) | Eff. (%) | Pout (W)         | Torque (Ncm) | Speed (RPM) | Cur. (Amp) | Eff. (%) | Pout (W) |
| BM64X      | 964.94.012 | 120            | 50              | 20509                    | 1.465      | 131.53       | 12.434     | 25.83                 | 10344       | 4.286      | 61.05    | 279.88           | 75.2         | 5238        | 9.465      | 47.46    | 412.54   |



Remarks:  
 • Documents here includes only reference values. BALKAN MOTOR A.Ş. has the right to revise them without any prior information.  
 • BALKAN MOTOR A.Ş. could modify all its products according to customer requirements.

**BALKAN MOTOR SANAYİ VE TİCARET A.Ş.**

Yenibosna Sanayi Caddesi No:21 34530 Bahçelievler/Istanbul/TURKEY

Tel:+90 (212)551 01 00 (7 Lines) Fax: +90 (212) 551 31 67 www.balkanmotor.com e-mail: balkan@balkanmotor.com



Quality management system  
ISO 9001

- Customer focus
- Customer satisfaction
- Continuous improvement
- System/process effectiveness

ID 15 100 53007

www.tuv-thuringen.de