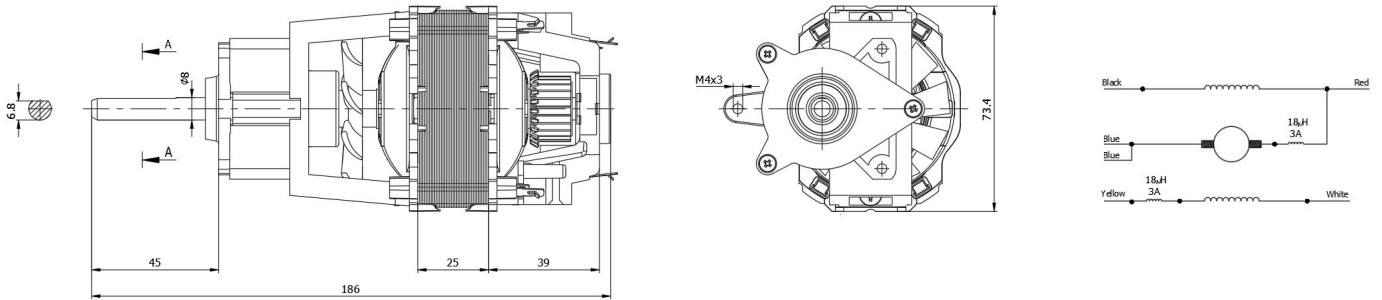
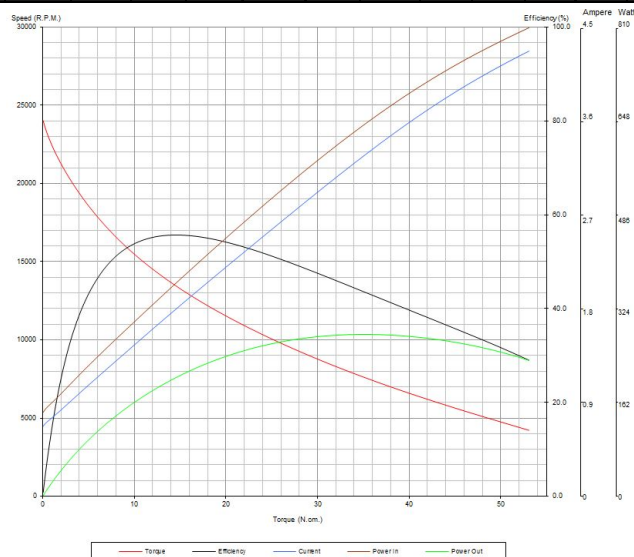


- Motor shaft: Ck45 20-22HRC.
- Insulation Class: F
- Bearings: Front; With reducer  
Rear; 608 ZZ Ball bearing
- Gear ratio: 5/1

## Universal Motor (BM63Y 963.93.002)



MOTOR TYPE	MOTOR CODE	NOM. VOLT. (V)	FREQ. (Hz)	MOTOR PERFORMANCE VALUES													
				At No Load			At Stall		At Maximum Efficiency			At Maximum Power					
				Speed (RPM)	Cur. (Amp)	Torque (Ncm)	Cur. (Amp)	Torque (Ncm)	Speed (RPM)	Cur. (Amp)	Eff. (%)	Pout (W)	Torque (Ncm)	Speed (RPM)	Cur. (Amp)	Eff. (%)	Pout (W)
BM63Y	963.93.002	220	50	24058	0.67	64.94	4.285	14.49	13.475	1.792	55.7	204.5	35.1	760	3.269	43.55	279.5



### Remarks:

- Documents here includes only reference values. BALKAN MOTOR A.Ş. has the right to revise them without any prior information.
- BALKAN MOTOR A.Ş. could modify all its products according to customer requirements.

### BALKAN MOTOR SANAYİ VE TİCARET A.Ş.

Yeni Bosna Sanayi Caddesi No:21 34530 Bahçelievler/İstanbul/TÜRKİYE

Tel:+90 (212)551 01 00 (7 Lines) Fax: +90 (212) 551 31 67 www.balkanmotor.com e-mail: balkan@balkanmotor.com



Quality management system  
ISO 9001

- Customer focus
- Customer satisfaction
- Continuous improvement
- System/process effectiveness

ID 15 100 53007

www.tuv-thueringen.de