

BM39B & BM39C & BM39D

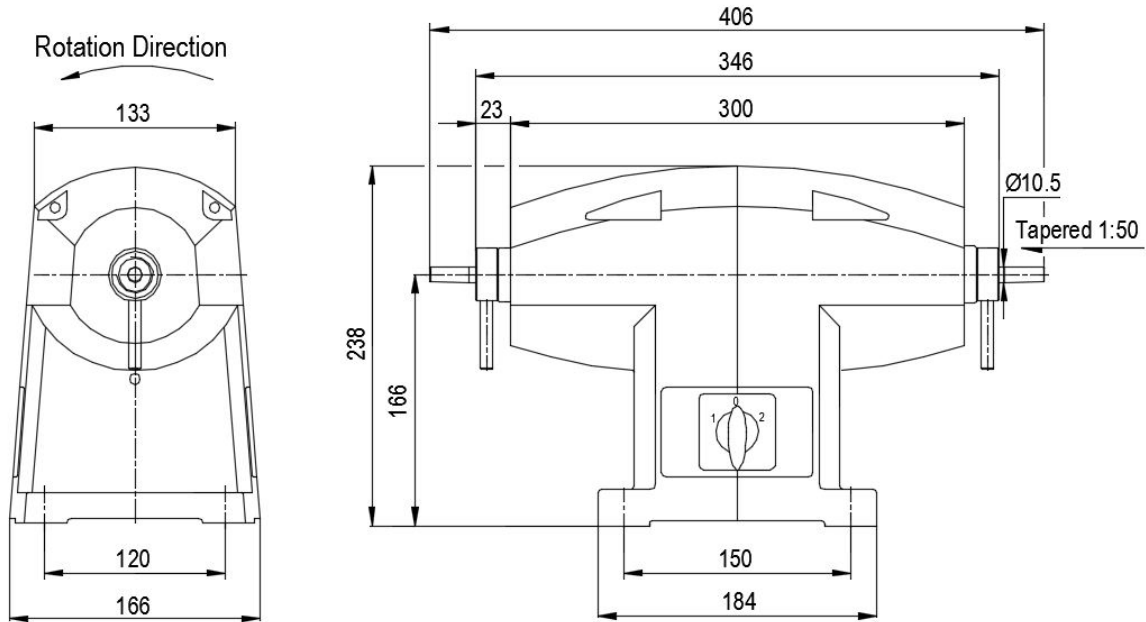
- Motor Type: 220V~Single Phase Induction Motor
- Insulation Class: B
- Accessuary : Left helix tapered, Right helix tapered, Ø8 Cylindrical, Flexible shaft adapter Zn. Plated Spindles .
- Shaft: C 1050 Tapered 1:50 Both Ends
- Bearings: 6302 ZZ Ball Bearings.
- Frame : Cast Aluminium

Polishing Motor

BM 39B 500 W 1500/3000 r.p.m.

BM 39C 300 W 1500/3000 r.p.m.

BM 39D 700 W 3000 r.p.m.



MOTOR TYPE	MOTOR CODE	VOLT. (V)	CURRENT (Amp)	POWER (W)	FREQ. (Hz)	SPEED STEP	SPEED (RPM)
BM39B	939.69.002	220	2.4	500	50	1	1500
						2	3000
BM39C	939.69.003	220	1.5	300	50	1	1500
						2	3000
BM39D	939.69.004	220	3.5	700	50	—	3000

Remarks:

- Documents here includes only reference values.BALKAN MOTOR A.Ş. has the right to revise them without any prior information.
- BALKAN MOTOR A.Ş. could modify all its products according to customer requirements.

BALKAN MOTOR SANAYİ VE TİCARET A.Ş.

Yenibosna Sanayi Caddesi No:21 34530 Bahçelievler/İstanbul/TÜRKİYE

Tel:+90 (212)551 01 00 (7 Lines) Fax: +90 (212) 551 31 67 www.balkanmotor.com.tr e-mail: balkan@balkanmotor.com.tr.

